

RETROAIRE

The Right Fit for Comfort

RC11 PACKAGED TERMINAL AIR CONDITIONER

P/N# 240003251, Rev. 1.3 [02/05]

Replacement for : WESTINGHOUSE "RB" SERIES CHASSIS



Straight Cool

Nominal Capacities:
9000 - 12,000 - 15,000 - 18,000 Btuh

PRODUCT DESCRIPTION

The RetroAire RC11 replacement chassis is an air conditioner designed to allow owners of the Westinghouse RB Series to upgrade the performance of their room conditioning and achieve current efficiency standards.

This unit is available as a cooling only model. With energy efficiency ratings as high as 10, the replacement of worn out and inefficient units becomes a very attractive option. The RetroAire RC11 offers two fan speeds. A separate outdoor fan saves energy since it does not run in venting or heating periods.

Whisper quiet operation improves the room ambience. The 20 gauge, galvanized steel construction of the chassis ensures long service life.

▲ Air Systems:

- Fans are forward-curved-type, directly mounted to the motor shafts.
- Motors are PSC type with overheat protection
- Airstream surfaces are insulated with 1/4" fiberglass

▲ **High-Efficiency Heat Exchanger** – Coil is seamless rifled copper tubing arranged in staggered configuration with enhanced aluminum fins and tested to 460 PSIG. The tubes are mechanically expanded for secure bonding to fin shoulders.

▲ Refrigeration Circuit:

- High efficiency rotary compressor with a five year warranty (standard)
- Automatic expansion valve refrigerant metering with low-ambient protection

▲ Accessories:

- Motorized fresh air damper with positive-pressure seal and override switch
- Continuous/cycling fan control switch
- 3, 4, or 5 kw electric heat
- Remote thermostat
- Hydronic Heat

NOTE: *The RC11 is designed to fit both the existing wall sleeve and cabinet of the old unit but, when either the sleeve or the cabinet must be replaced because of rust or damage, a custom replacement can be supplied. Consult factory for availability and minimum quantity requirements.*

A Note On Wall Thickness

The distance from the condenser coil to the outdoor louver varies with sleeve depth. Each chassis includes air baffles to accommodate the most common condenser coil to outdoor louver distances.

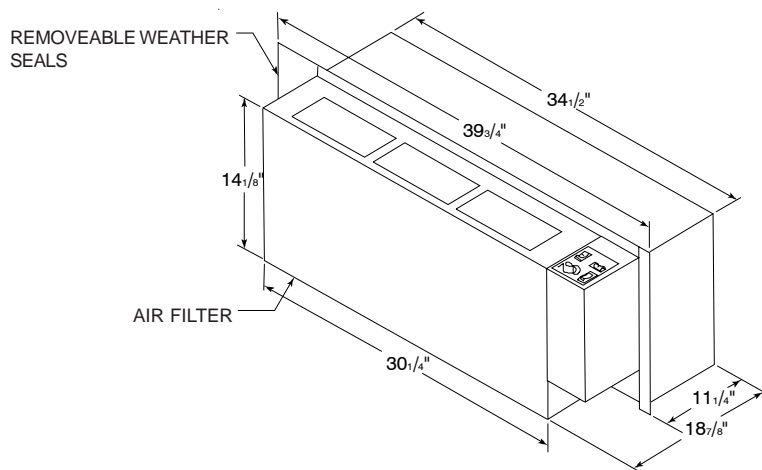
In addition, we stock an optional condenser-side air baffle kit for chassis installation in deeper than standard wall sleeves. The kit's two piece sliding design adjusts for condenser coil to outdoor louver distances from 4" to 8."

▲ **Rating & Testing** – Units are tested and rated in accordance with ARI standards 310/380 and UL 484. Due to RetroAire's ongoing development programs, design and specifications may change without notice.

▲ **Warranty** – All RetroAire products are covered under standard warranty and are backed by Enviromaster International, LLC.

RC11 DIMENSIONS AND SPECIFICATIONS

NOTE: Due to ongoing product development, design, specifications, and performance data may change without notice.



PERFORMANCE DATA				
UNIT SIZE	COOLING BTUH	EER	EVAPORATOR CFM H/LO	FRESH AIR CFM
9	9,500	10	385/335	40/35
12	11,900	10	385/335	40/35
15	14,700	9.2	385/335	40/35
18	16,900	9.1	385/335	40/35

ELECTRICAL SPECIFICATIONS												
UNIT SIZE	VOLTS/HZ/PHASE	EVAP MOTOR		COND MOTOR		COMPRESSOR		TOTAL AMPS	MCA	MAX FUSE	MIN VOLT	LINE CORD
		FLA	HP	FLA	HP	RLA	LRA					
9	115/60/1	1.4	0.09	1.6	0.125	7.4	44	10.4	12.3	15	104	5-15P
	208/230/60/1	0.6	0.08	0.72	0.125	4.1	20	5.4	6.4	15	197	6-15P
	265/60/1	0.67	0.08	0.7	0.125	3.35	18	4.7	5.6	15	240	7-20P
12	115/60/1	1.4	0.09	1.6	0.125	9.7	54	12.7	15.1	20	104	5-20P
	208/230/60/1	0.6	0.08	0.72	0.125	5.1	28	6.4	7.7	15	197	6-15P
	265/60/1	0.67	0.08	0.7	0.125	4.25	26	5.6	6.7	15	240	7-20P
15	208/230/60/1	0.6	0.08	0.72	0.125	6.4	35	7.7	9.3	15	197	6-15P
	265/60/1	0.67	0.08	0.7	0.125	5.4	32	6.8	8.1	15	240	7-20P
18	208/230/60/1	0.6	0.08	0.71	0.09	7.6	45	8.9	10.8	15	197	6-15P
	265/60/1	0.67	0.08	0.71	0.09	6.3	32	7.7	9.3	15	240	7-20P

OPTIONAL ELECTRIC HEAT SPECIFICATIONS									
HEATER#	VOLTS	WATTS	BTUH	AMPS	TOTAL HEAT AMPS	MCA	MAX FUSE	LINE CORD	
2	208	1,636	5,600	7.9	8.5	10.4	15	6-15P	
	230	2,000	6,900	8.7	9.3	11.5	15	6-15P	
	265	2,655	9,100	10	10.7	13.2	15	7-20P	
3	208	2,454	8,400	11.8	12.4	15.3	20	6-20P	
	230	3,000	10,300	13	13.6	16.9	20	6-20P	
	265	3,983	13,600	15	15.7	19.5	20	7-20P	
4	208	3,271	11,200	15.7	16.3	20.3	25	6-30P	
	230	4,000	13,700	17.4	18	22.3	25	6-30P	
	265	5,310	18,200	20	20.7	25.7	30	7-30P	
5	208	4,089	14,000	19.7	20.3	25.2	30	6-30P	
	230	5,000	17,100	21.7	22.3	27.8	30	6-30P	

NEMA Specifications Non-Locking/Receptacles									
VOLTAGE	125V			250V			265V		
	15(A)	20(A)		15(A)	20(A)	30(A)	15(A)	20(A)	30(A)
PLUG									
RECEPTACLE	5-15 R	5-20 R		6-15 R	6-20 R	6-30 R	7-15 R	7-20 R	7-30 R

An **ECR** International Brand
ENVIROMASTER INTERNATIONAL LLC
 5780 Success Dr., Rome, NY 13440
 Phone: 1-800-228-9364
 FAX: 1-800-232-9364
 Email: info@retroaire.com